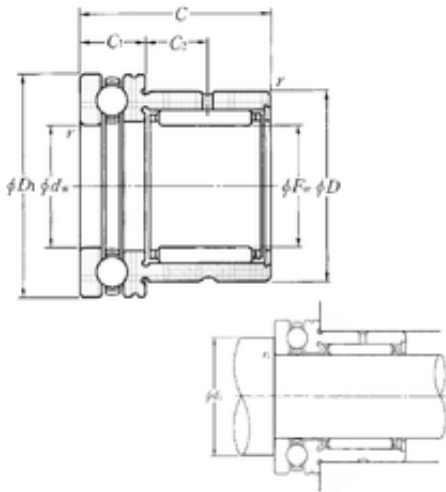




LEDONG Machinery Co., Ltd.



NKX12T2 Bearing 2D drawings and 3D CAD models

NTN NKX12T2 complex bearings

Bearing No. NKX12T2

Bore Diameter	12 mm
Outer Diameter	26 mm
d	12 mm
Fw	12 mm
D	21 mm
D1	26 mm
C	23 mm
r min.	0,3 mm
C1	9 mm
da min.	20 mm
ra max.	0,3 mm
C2	6,5 mm
Weight	0,042 Kg
Dynamic load rating radial (C)	6 kN
Dynamic load rating axial (C)	10,3 kN
Static load rating radial (C0)	7,7 kN
Static load rating axial (C0)	15,4 kN
(Grease) Lubrication Speed	6400 r/min
dw	12 mm
rs min	0.3 mm
Dw	1.5 mm
Dw1	4.76 mm
Lw	9.8 mm
Lubrication hole on outer ring	Oui/Yes



LEDONG Machinery Co., Ltd.

Precision class	P0
Mass	0.04 kg
Cr	6 kN
Ca	10.3 kN
C0r	7.7 kN
C0a	15.4 kN
Nlim (grease)	6,400 rpm
Nlim (oil)	9,200 rpm
Min operating temperature, Tmin	-20 ° C
Max operating temperature, Tmax	120 ° C
da min	20 mm
ras max	0.3 mm
Category	Bearings
Inventory	0.0
Manufacturer Name	NTN
Minimum Buy Quantity	N/A
Weight / Kilogram	0.048
Product Group	B04144