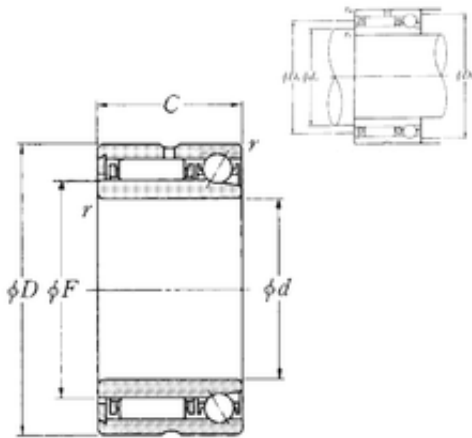




LEDONG Machinery Co., Ltd.

55 mm x 80 mm x 34 mm NTN NKIA5911 complex bearings



Bearing No. NKIA5911

Size	55x80x34 mm
Bore Diameter	55 mm
Outer Diameter	80 mm
Width	34 mm
d	55 mm
F	63 mm
D	80 mm
B	34 mm
C	34 mm
r min.	1 mm
da min.	61 mm
Da max.	66,5 mm
ra max.	1 mm
Db max	74 mm
Weight	0,59 Kg
Dynamic load rating radial (C)	44,5 kN
Dynamic load rating axial (C)	14,3 kN
Static load rating radial (C0)	95,5 kN
Static load rating axial (C0)	33 kN
(Grease) Lubrication Speed	4300 r/min

NKIA5911 Bearing 2D drawings and 3D CAD models