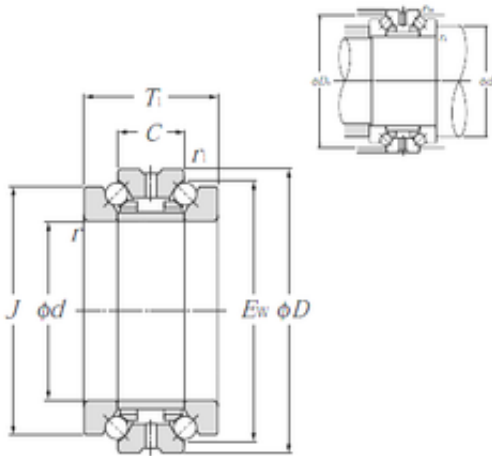




LEDONG Machinery Co., Ltd.

NTN 562015 thrust ball bearings

Bearing No. 562015



562015 Bearing 2D drawings and 3D CAD models

Bore Diameter	75 mm
Outer Diameter	105 mm
d	75 mm
D	115 mm
Ew	105 mm
T1	48 mm
C	24 mm
ra1 max.	0,6 mm
r min.	1,1 mm
r1 min.	0,6 mm
J	102 mm
da min.	90 mm
Da max.	109 mm
ra max.	1 mm
Weight	1,61 Kg
Basic dynamic load rating (C)	49 kN
Basic static load rating (C0)	150 kN
(Grease) Lubrication Speed	3 700 r/min