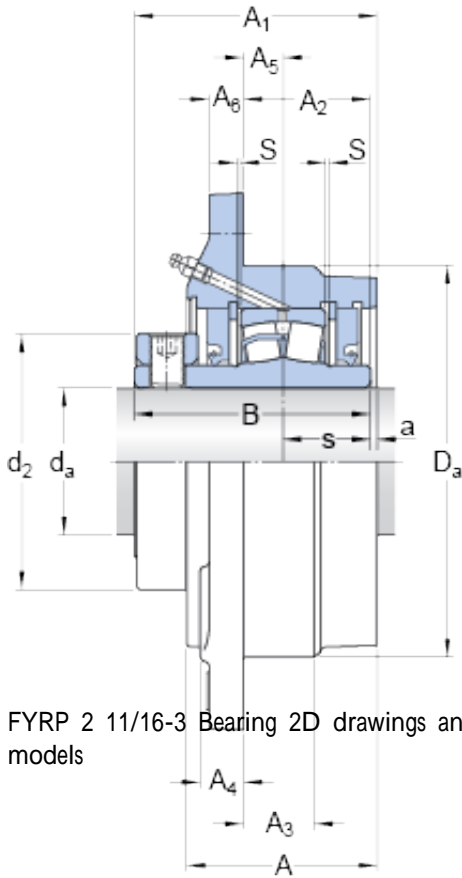




LEDONG Machinery Co., Ltd.

SKF FYRP 2 11/16-3 bearing units

Bearing No. FYRP 2 11/16-3



FYRP 2 11/16-3 Bearing 2D drawings and 3D CAD models

Size	68.262x111.125x161.925 mm
Bore Diameter	68,262 mm
Outer Diameter	111,125 mm
Width	161,925 mm
d_a	68.262 mm
d_2	111.125 mm
D_a	161.925 mm
A	79.375 mm
A_1	98.425 mm
A_2	51.594 mm
A_3	31.75 mm
A_4	20.638 mm
A_5	20.638 mm
A_6	17.462 mm
B	92.075 mm
a	7.144 mm
J	190.5 mm
L	222.25 mm
N_1	17.462 mm
s	31.75 mm
S	0.794 mm
Basic dynamic load rating - C	158 kN
Limiting speed	950 r/min



LEDONG Machinery Co., Ltd.

d_a	68.263 mm
d_2	111.125 mm
D_a	161.925 mm
A_1	98.425 mm
A_2	51.594 mm
A_3	31.75 mm
A_4	20.637 mm
A_5	20.637 mm
A_6	17.462 mm
N_1	17.462 mm
Basic dynamic load rating C	158 kN
Mass bearing unit	9.3 kg
Attachment bolt diameter G	15.875 mm