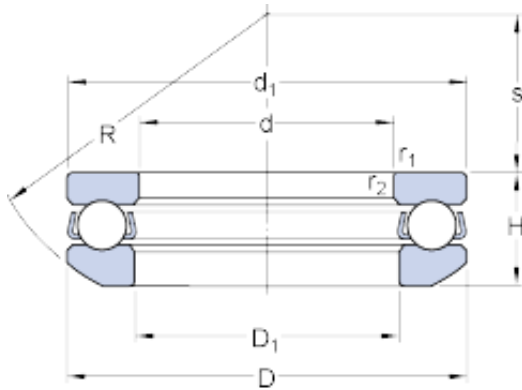




# LEDONG Machinery Co., Ltd.



## SKF 53214 + U 214 thrust ball bearings

Bearing No. 53214 + U 214

Size	105x70x27 mm
Bore Diameter	105 mm
Outer Diameter	70 mm
Width	27 mm
d	70 mm
D	105 mm
H	27 mm
H <sub>1</sub>	32 mm
d <sub>1</sub>	105 mm
D <sub>1</sub>	72 mm
D <sub>2</sub>	88 mm
D <sub>3</sub>	110 mm
C	9 mm
R	80 mm
s	38 mm
r <sub>1,2</sub> - min.	1 mm
d <sub>a</sub> - min.	91 mm
D <sub>a</sub> - max.	88 mm
r <sub>a</sub> - max.	1 mm
Basic dynamic load rating - C	62.4 kN
Basic static load rating - C <sub>0</sub>	160 kN
Fatigue load limit - P <sub>u</sub>	5.8 kN
Reference speed	2600 r/min
Limiting speed	3600 r/min

53214 + U 214 Bearing 2D drawings and 3D CAD models



## LEDONG Machinery Co., Ltd.

Minimum load factor - A	0.16
$H_1$	32 mm
$d_1$	105 mm
$D_1$	72 mm
$D_2$	88 mm
$D_3$	110 mm
$r_{1,2}$ min.	1 mm
$d_a$ min.	91 mm
$D_a$ max.	88 mm
$r_a$ max.	1 mm
Basic dynamic load rating C	62.4 kN
Basic static load rating $C_0$	160 kN
Fatigue load limit $P_u$	5.85 kN
Minimum load factor A	0.16
Mass bearing (including seat washer where applicable)	0.97 kg