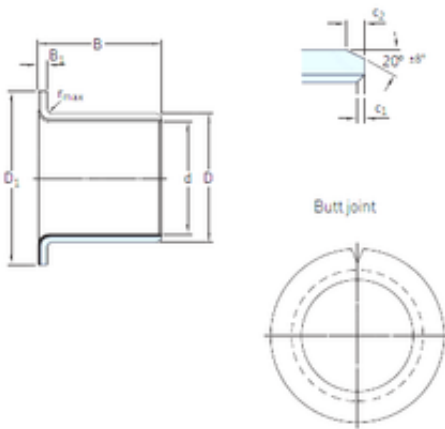




# LEDONG Machinery Co., Ltd.

8 mm x 10 mm x 9,5 mm SKF PCMF 081009.5 E plain bearings



Bearing No. PCMF 081009.5 E

Size	8x10x9.5 mm
Bore Diameter	8 mm
Outer Diameter	10 mm
Width	9,5 mm
d	8 mm
D	10 mm
B	9,5 mm
c1 min	0,1 mm
c2 min	0,2 mm
r max	1 mm
B1	1 mm
D1	15 mm
Weight	0,0029 Kg
Dynamic load rating radial (C)	4,8 kN
Dynamic load rating axial (C)	5,1 kN
Static load rating radial (C0)	15 kN
D <sub>1</sub>	15 mm
B <sub>1</sub>	1 mm
c <sub>1</sub> min.	0.1 mm
c <sub>1</sub> max.	0.6 mm
c <sub>2</sub> min.	0.2 mm
c <sub>2</sub> max.	1 mm
± 8	20 °
r max.	1 mm

PCMF 081009.5 E Bearing 2D drawings and 3D CAD models



## LEDONG Machinery Co., Ltd.

Tolerance shaft	f7
Tolerance housing	H7
Basic dynamic load rating - radial direction $C$	4.8 kN
Basic static load rating - radial direction $C_0$	15 kN
Basic dynamic load rating - axial direction $C_a$	5.1 kN
Basic static load rating - axial direction $C_{0a}$	16 kN
Specific dynamic load factor $K$	80 N/mm <sup>2</sup>
Specific static load factor $K_0$	250 N/mm <sup>2</sup>
Factor depending on material and bearing type $K_M$	480
Permissible sliding velocity $v$ min.	0 m/s
Permissible sliding velocity $v$ max.	2 m/s
Coefficient of friction $\mu$ min.	0.03
Coefficient of friction $\mu$ max.	0.25
Mass bushing	0.003 kg