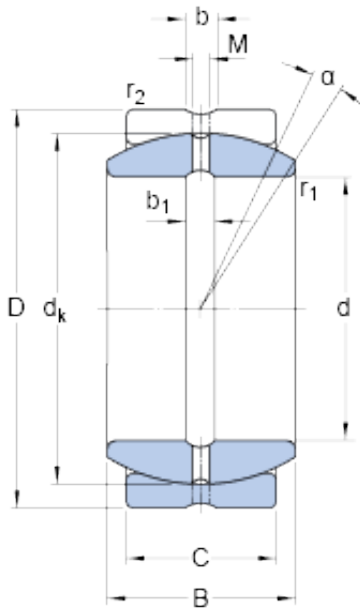




LEDONG Machinery Co., Ltd.

38.1 mm x 61.913 mm x 33.325 mm SKF GEZ
108 ES plain bearings

Bearing No. GEZ 108 ES



GEZ 108 ES Bearing 2D drawings and 3D CAD models

Size	61.913x38.1x33.325 mm
Bore Diameter	61,913 mm
Outer Diameter	38,1 mm
Width	33,325 mm
d	38.1 mm
D	61.913 mm
B	33.325 mm
C	28.575 mm
	6 °
d _k	54.737 mm
b	4.8 mm
b ₁	5 mm
M	4 mm
r ₁ - min.	0.6 mm
r ₂ - min.	1 mm
d _a - min.	41.4 mm
d _a - max.	43.4 mm
D _a - min.	52 mm
D _a - max.	58 mm
r _a - max.	0.6 mm
r _b - max.	1 mm
Basic dynamic load rating - C	125 kN
Basic static load rating - C ₀	375 kN
Specific factor dinamic load - K	100 N/mm ²



LEDONG Machinery Co., Ltd.

Specific factor static load - K_0	300 N/mm ²
Constant - K_M	330
Category	Spherical Plain Bearings - Radial
Inventory	0.0
Manufacturer Name	SKF
Minimum Buy Quantity	N/A
Weight / Kilogram	0.419
EAN	7316576612251
Product Group	B04264
Self Aligning	Yes
Rolling Element	Spherical Plain
Material - Outer Member	Steel
Material - Ball	Steel
Material - Liner	Not Applicable
Relubricatable	Yes
Enclosure	Open
Other Features	2 Piece Lubrication Hole and an Annular Groove in Both Rings
Long Description	1-1/2" Bore; 1-1/8" Housing Width; 2-7/16" Outside Diameter; Steel Outer Member; Steel Ball; No Liner; 1-5/16" Overall Width; Relubricatable
Inch - Metric	Inch
Category	Plain Bearings Spherical Radial
UNSPSC	31171515
Harmonized Tariff Code	8483.30.80.70
Noun	Bearing
Keyword 3	Spherical
Keyword String	Plain Spherical Radial



LEDONG Machinery Co., Ltd.

Manufacturer URL	http://www.skf.com
Manufacturer Item Number	GEZ 108 ES
Weight / LBS	0.926
Housing Width	1.125 Inch 28.575 Millimeter
Bore	1.5 Inch 38.1 Millimeter
Outside Diameter	2.438 Inch 61.925 Millimeter
Overall Width	1.312 Inch 33.325 Millimeter
bore diameter:	1.5000 in
outer ring width:	1.1250 in
outside diameter:	2.4375 in
grade:	Commercial/Industrial
misalignment angle:	6 °
radial static load capacity:	84303 lbf
inner ring width:	1.3120 in
radial dynamic load capacity:	28101 lbf
bearing type:	Radial
operating temperature range:	-50 to +200 ° C ° F
lubrication type:	Requires Lubrication
overall width:	1.3120 in
closure type:	Open
weight:	0.93 lb
outer ring material:	Chrome Steel
manufacturer product page:	Click here
inner ring material:	Chrome Steel
manufacturer upc number:	7316576612251
Lubricant	Regular relubrication – grease
Design (sliding contact surface combination)	Steel/steel



LEDONG Machinery Co., Ltd.

Sealing solution	-
	6 °
d_k	54.737 mm
b_1	5 mm
r_1 min.	0.6 mm
r_2 min.	1 mm
d_a min.	41.4 mm
d_a max.	43.4 mm
D_a min.	52 mm
D_a max.	58 mm
r_a max.	0.6 mm
r_b max.	1 mm
Basic dynamic load rating C	125 kN
Basic static load rating C_0	375 kN
Specific dynamic load factor K	100 N/mm ²
Specific static load factor K_0	300 N/mm ²
Material constant K_M	330
Mass plain bearing	0.42 kg